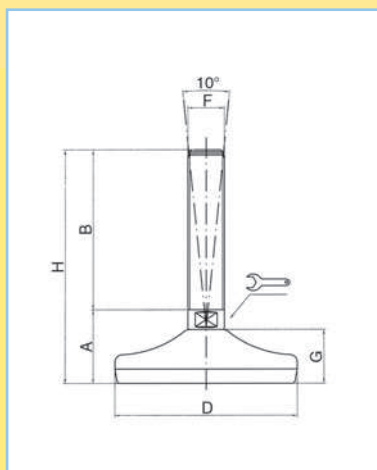


BASE INOX Ø 80 STELO INOX SNODATO 10°
STAINLESS STEEL BASE Ø 80 ARTICULATED STAINLESS STEEL SCREW 10°



CODICE - CODE	descrizione description	DIMENSIONI PRINCIPALI - MAIN DIMENSIONS							CARICO STATICO STATIC LOAD NEWTON
		A	B	D	CH	F	G	H1	
25020	M16X75	35	75	Ø 80	13	M16	25	110	10000
25022	M16X100	35	100	Ø 80	13	M16	25	135	10000
25024	M16X125	35	125	Ø 80	13	M16	25	160	10000
25026	M16X150	35	150	Ø 80	13	M16	25	185	10000
25028	M16X175	35	175	Ø 80	13	M16	25	210	10000
25040	M20X75	38	75	Ø 80	17	M20	25	113	10000
25042	M20X100	38	100	Ø 80	17	M20	25	138	10000
25044	M20X125	38	125	Ø 80	17	M20	25	163	10000
25046	M20X150	38	150	Ø 80	17	M20	25	188	10000
25048	M20X175	38	175	Ø 80	17	M20	25	213	10000
25050	M20X200	38	200	Ø 80	17	M20	25	238	10000
25052	M20X225	38	225	Ø 80	17	M20	25	260	10000
25070	M24X75	40	75	Ø 80	20	M24	25	115	10000
25072	M24X100	40	100	Ø 80	20	M24	25	140	10000
25074	M24X125	40	125	Ø 80	20	M24	25	165	10000
25076	M24X150	40	150	Ø 80	20	M24	25	190	10000
25078	M24X175	40	175	Ø 80	20	M24	25	215	10000
25080	M24X200	40	200	Ø 80	20	M24	25	240	10000
25082	M24X225	40	225	Ø 80	20	M24	25	265	10000

Level

Italy